

260L

STORAGE VOLUME



MAX CAPACITY

23-32

STC VALUES

6 YEAR

WARRANTY

70°C

MAX TEMP.



350% efficiency rating reduces running costs versus gas and electric water heaters.



Registered Clean Energy product with annual carbon reduction rating of 3 tonnes.



Non-sacrificial impressed current anode provides protection in soft and hard water conditions.



Integrate and maximise Solar PV systems with in-built timer controlled heat up cycles.



Boost Mode utilising Dual Heating Technology with incorporated electric element.



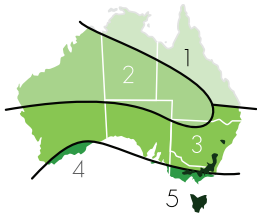
R290 natural refrigerant with zero global warming potential compared to synthetic blends.





Hydrotherm's comprehensive 6 year warranty covers all system parts and tank in full, including any labour charges. Have peace of mind that you'll be covered.

## STC VALUES



Zone 1 = 25 STCs

Zone 2 = 23 STCs

Zone 3 = 30 STCs

Zone 4 = 32 STCs

Zone 5 = 31 STCs

## SYSTEM CAPACITY

Continuous Tariff



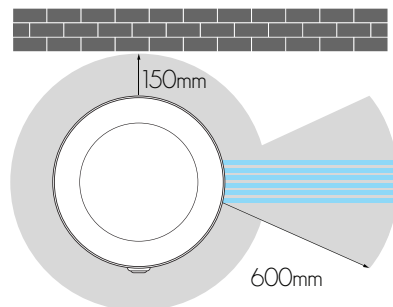
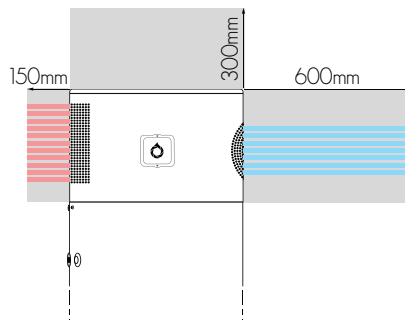
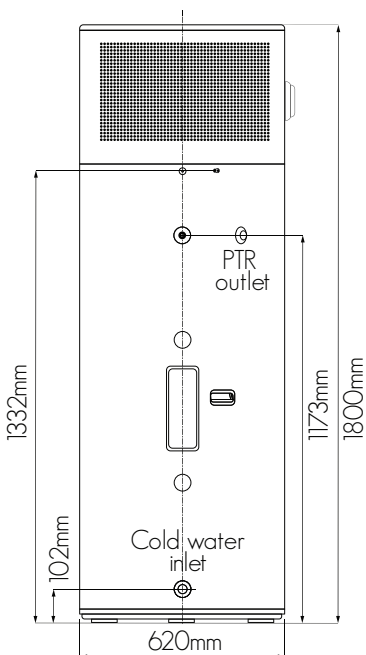
Shoulder Tariff



Solar PV/Timers



## INSTALLATION PARAMETERS



## TECHNICAL SPECIFICATIONS

Electricity Supply	220-240 V/50-60 Hz
Circuit	10 Amp/Single Phase
Power Connection	Hardwired/Isolated
Tariff Connection	Continuous/Shoulder/TOU
Compressor Rating	700-900W
Element Rating	1800W
Protection Class	IPX4
Refrigerant	R290 (350g)
Tank Material	Vitreous Enamel
Tank Storage Capacity	260L
Condensate Connection	1/2" Elbow (supplied)
Water Connections	3/4" G
PTR Rating	850 kPa (supplied)
ECV Rating	700 kPa (suggested)
Pressure Reduction Valve	500 kPa (max)
Tempering Valve	High Performance (suggested)
System Weight	118 kg
System Dimensions	620 mm x 1800 mm
Packed Weight	137 kg
Packed Dimensions	700 mm x 700 mm x 1990 mm
Minimum Base Size	600 mm x 600 mm

## HEATING PARAMETERS

Operating Modes	Standard, Timer, Boost
Max. Temp. Heat pump	60°C
Max. Temp. Element	70°C
Tank Recovery (heat pump)	260 minutes*
COP (heat pump)	4.15*
Heating capacity (heat pump)	2.82kW*

\*260L with 40°C water temperature rise at 19°C air temperature

1300 769 904

www.hydrothermhotwatersystems.com.au

